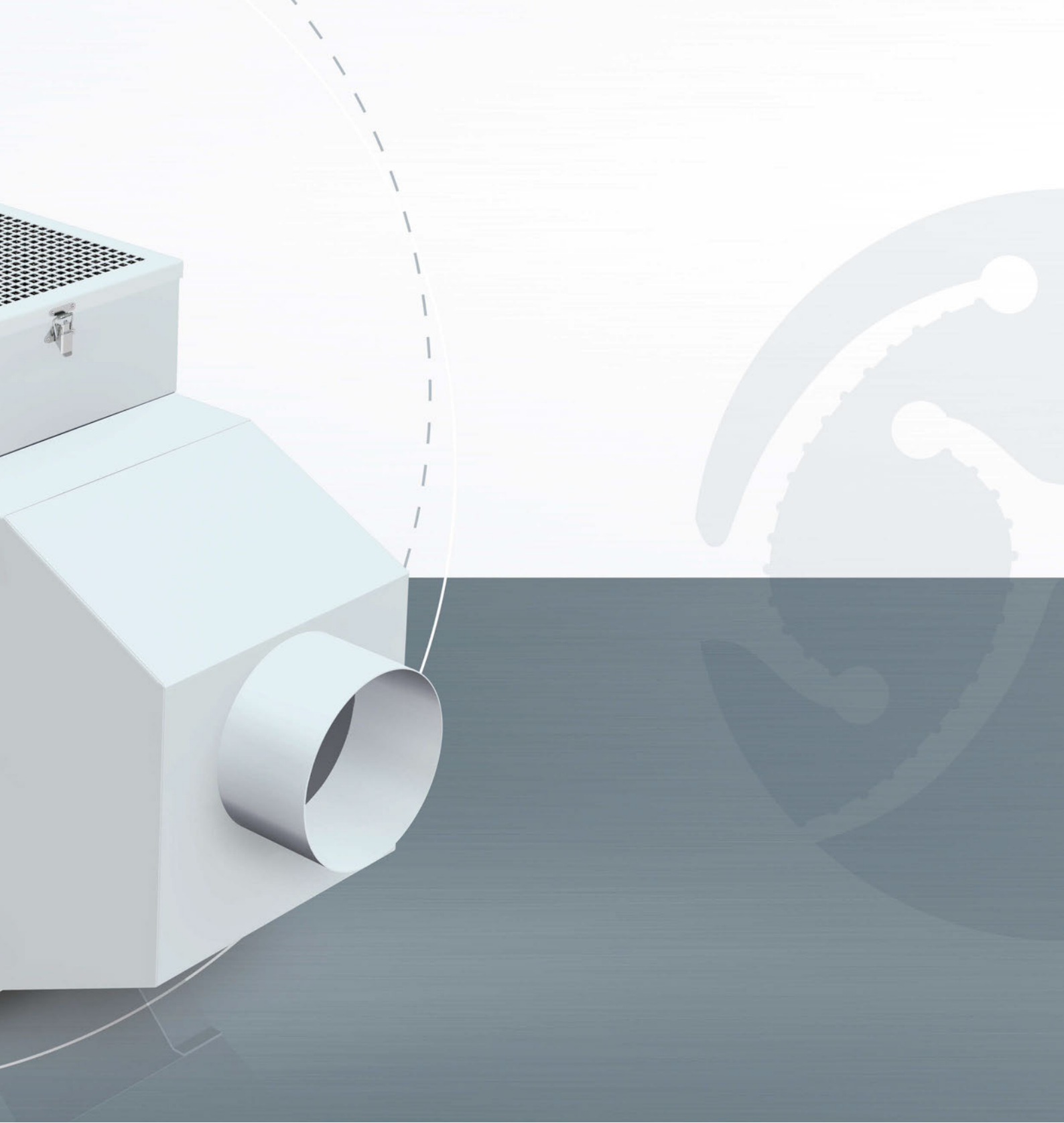


X-CYCLONE® C-XSC Series

Compact air cleaners for water-based aerosols





RANGE OF APPLICATION

Cleaning of the exhaust air from processing machines, coating plants or food-processing lines. Separation of water-based aerosols such as cooling lubricants or spray mist.



TECHNICAL HIGHLIGHTS

- Patented high-performance X-CYCLONE® separating system with an efficiency rate of up to 99.9999 %.
- Sustainable air-cleaning concept thanks to the use of cleanable separators.
- Digital fan module XSC for fast commissioning, flexibility and high performance.
- Fan impeller and motor with energy-efficient eco-design in accordance with the European Directive on Energy-related Products (ErP). Energy-saving potential of up to Euro 2,000 per year compared to traditional air cleaners.
- Efficiency and function of the air cleaner proven by CFD flow analysis.
- Flame-arresting X-CYCLONE® basic elements, tested in accordance with DIN 18869-5 and DIN EN 16282.
- Agglomeration system made of stainless steel, suitable for the removal of PM_{2.5}.
- Enclosure 100 % rustproof in accordance with the requirements of the German trademark association for stainless steel Warenzeichenverband Edelstahl Rostfrei e.V.
- Intelligent functional display.
- Designed, constructed and produced in Germany.
- State-of-the-art design protected by international design patent rights.

Further information

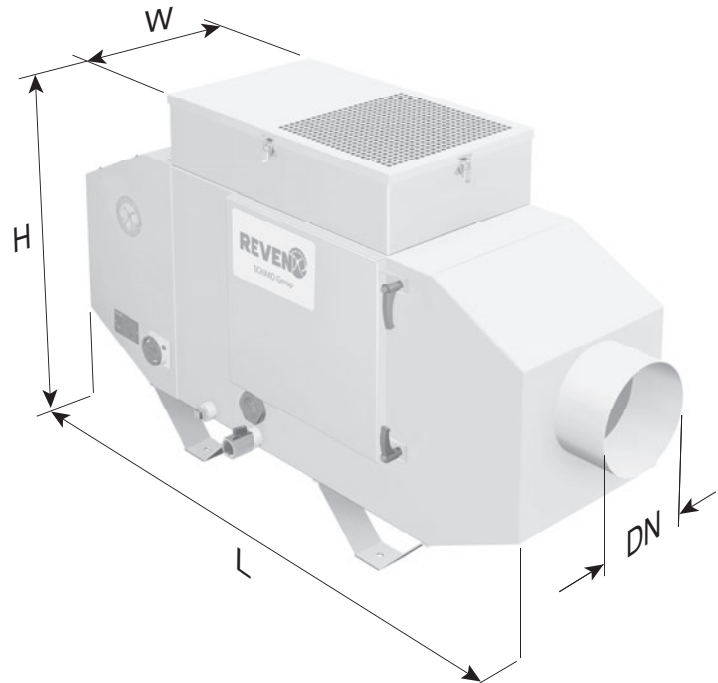
www.reven.de (Links/Speed Control Videos)



- Lifetime guarantee on the X-CYCLONE® basic separator elements and the corrosion resistance of the enclosure.

ACCESSORIES

- REVEN® Pipe.
- EUREVEN® F2011 filter made of moisture-repelling, synthetic material, easy to clean; suitable for low smoke generation.
- Particulate air filter top unit, suitable for processes with high smoke emission.
- Self-cleaning REVEX® HEPA filters, suitable for aerosols with ultrafine solid and liquid particles.
- Honeycomb agglomerator, suitable for high steam concentrations.
- Chip protection, activated carbon filter and bag filter.
- Extraction hoses, capture hoods and brackets.



TECHNICAL DATA – X-CYCLONE® C-XSC SERIES

Type of device	Extraction volume [m³/h]		Electrical data						Dimensions				Weight [kg]	Noise level [dB(A)]
			Voltage [V]		Current [A]		Power 3* [W]		Length [mm]	Width [mm]	Height [mm]	Connecting diameter DN [mm]		
			50 Hz	60 Hz	50 Hz	60 Hz	50 Hz	60 Hz						
C-1-XSC	500	1000	3~400	3~460	0.42	0.42	232	267	1016	360	765	150	40	50
C-2-XSC	800	1500	3~400	3~460	0.50	0.50	298	343	1065	360	765	150	46	63
C-3-XSC	1200	2600	3~400	3~460	0.80	0.80	466	535	1200	370	765	200	54	65
C-4-XSC	1700	4000	3~400	3~460	1.90	1.90	1106	1272	1250	450	845	200	78	67
C-5-XSC	2500	4500	3~400	3~460	2.10	2.10	1208	1472	1280	550	925	300	110	67
C-6-XSC	4000	6800	3~400	3~460	3.90	3.90	2405	2765	1360	655	1045	300	152	72
C-7-XSC	6500	10500	3~400	3~460	6.20	6.20	3823	4396	1400	820	1205	400	240	72

1* Extraction volume when connected to the extraction system with two filters installed.

2* Extraction volume in unconnected, free-blowing state without filter(s).

3* Power data referring to the operational power.

Other voltages on request!